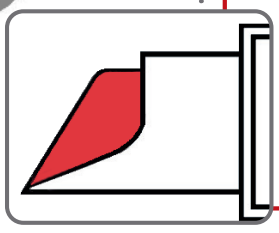
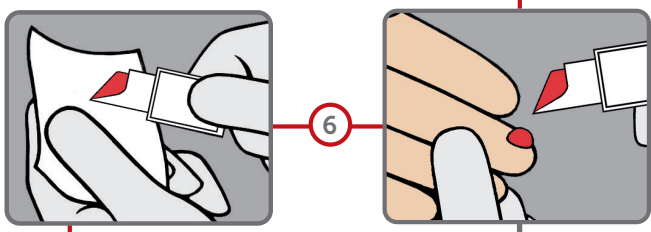
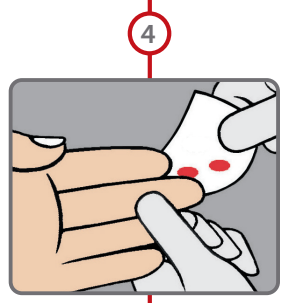


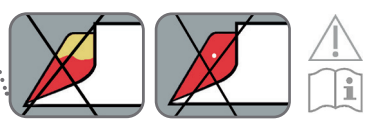
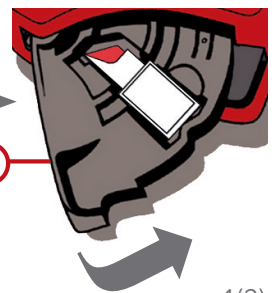
# HemoCue<sup>®</sup>

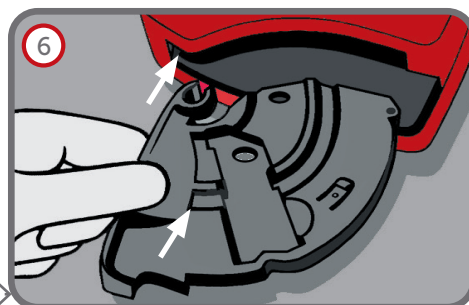
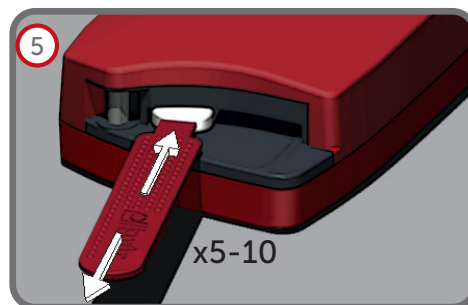
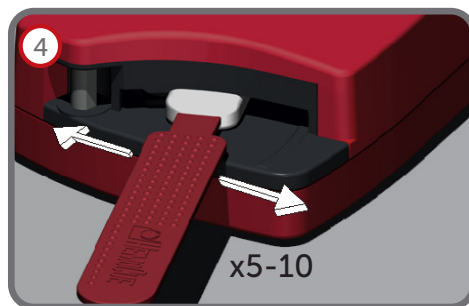
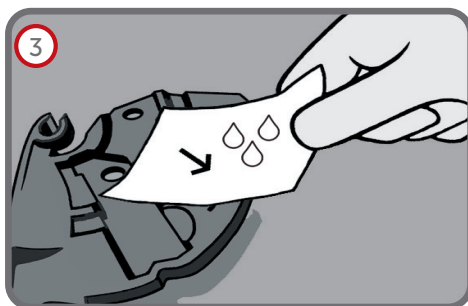
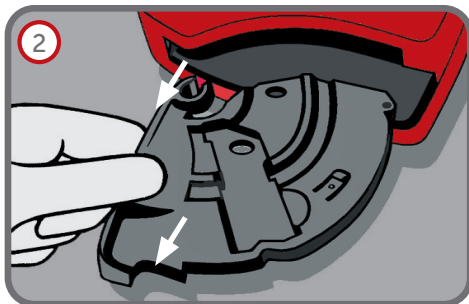
Glucose 201/ 201<sup>+</sup>  
Glucose 201 DM



---|---

≤ 40 s





 15 min

2(2)

### Manufacturer

HemoCue AB  
Kuvettgatan 1  
SE-262 71 Ängelholm  
Sweden  
info@hemocue.se  
hemocue.com

Phone +46 77 570 02 10  
Fax +46 77 570 02 12



IVD

### HemoCue Distributor USA

HemoCue America  
250 South Kraemer Boulevard  
Brea, CA, 92821  
USA  
hemocue.com

Phone 800.881.1611  
Orders 800.323.1674  
Tech. Support 800.426.7256  
Fax (Cust. Srv.) 800.333.7043



900767 211206